



# QT 2000

//////////

## CNC DIAMOND WIRE PROFILING MACHINE

FOR REALIZATION  
OF STONE SHARP SURFACES



# PERFORMANCES

## QT 2000



### GREAT STABILITY

A great advantage of the new monowire **QTEQ-BIDESE QT 2000** diamond wire profiling machine it's a **great stability**.

Made of well-sized metal structure.

The sliding guides are machined to achieve **maximum cutting precision**.

The guides and the screw of the carriage movement are **well protected with resistant steel protections**, against splashing of water and accidental material falls.



### DIAMOND WIRE CIRCUIT

The new **QTEQ-BIDESE QT 2000** has been designed with a diamond wire loop system on two main pulleys with a diameter 1.500 mm. **to allow a larger vertical cutting**.



### WHEELS

Thanks to the well-sized pulleys, **the result is a longer life of the diamond wire** and higher cutting performance.

The **high cutting precision** is guaranteed by the driving wire pulleys.



### PNEUMATIC WIRE TENSIONER

The **QTEQ-BIDESE QT 2000** is equipped with **pneumatic wire tensioning**, which in addition to being **effective and highly reliable**, offers others **important advantages**, such as avoiding the occurrence of typical ovalization problems, cutting deviation and broken wire.

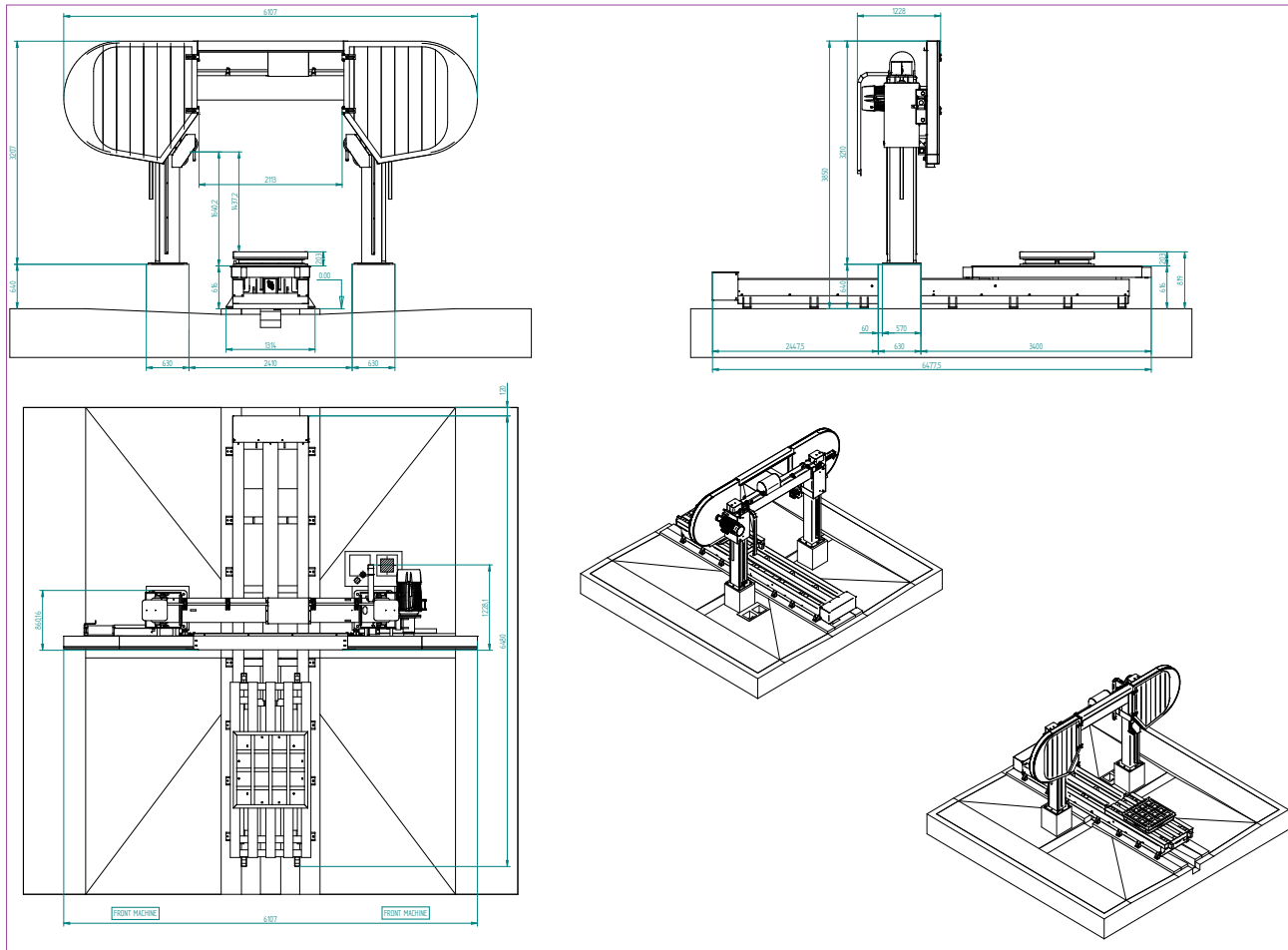
Pneumatic tensioning remarkably **reduces the maintenance**, as well as a positive impact of the environment thanks to the **absence of oil**.



# TECHNICAL FEATURES

## QT 2000

<b>QTEQ-BIDese QT 2000</b> Machine dimension:	L: 6.100 x W: 4.500 x H: 3.800 mm
Wheels:	ø 1.500 mm
Wire Speed (variable):	0 - 35 meters / sec.
Cutting speed:	10 - 2.000 cm / h
Rapid speed:	3.300 cm / min.
Cutting area:	W: 2.000 x L: 2.200 x H: 1.450 mm
Vertical axe Motor (Y):	Without Brushless 15 Nn
Diamond wire:	ø 7,3; 6,3; 5,3; 4,3 mm
Diamond wire lenght:	13,00 m
Diamond wire tensioning:	0 - 450 Kg
Water quantity:	20 litres/min - 2 bar
Pneumatic tensioning cylinder:	diam. 125 x 300 mm
Air quantity:	50 NL / min - 6 bar
Carriage dimension:	1.600 x 800 mm
Carriage capacity:	10 ton
Carriage movement (asse X):	2.200 mm
Machine weight:	3.600 Kg
Motor for diamond wire:	15 Kw
Installed electrical power:	24 kw
Electric power supply:	three phases 400V - 50 Hz
Transport:	n. 1 open top 40 feet





**bidese**<sub>QTEQ</sub>

SOLUTIONS FOR  
YOUR BUSINESS



**QTEQ-Bidese Sp. z o.o.**

Jasionka 954  
36-002 Jasionka (Poland)  
Tel. +48 17 77 962 75

mail: [office@qteq.eu](mailto:office@qteq.eu)

VAT: PL5170365602

[www.bidese.com](http://www.bidese.com)

COPYRIGHT Q-TEQ 2022

The information contained in this catalog are not binding, Q-TEQ reserves the right to make changes without notice, nobody can raise any objections or claim.