



CINQUE

//////
**MULTI-WIRE
FOR CUTTING
THICKNESSES
AND SLABS**



PERFORMANCES

CINQUE 500/5



GREAT STABILITY

A great advantage of multi-wire **QTEQ-BIDESE CINQUE** is a [great stability](#).

Moreover handy and fast in replacing of the diamond wires.



TRIANGLE FRAME DIAMOND WIRE CIRCUIT

Designed with an optimized triangular diamond wires circuit system, multi-wire **QTEQ-BIDESE CINQUE / 500** [minimizes the stress](#) on the diamond wires granting high performances!



DRUMS AND PULLEYS

Thanks to the well-sized drums and pulleys, multi-wire **QTEQ-BIDESE CINQUE / 500** [gives longer life to the diamond wires](#) and increases cutting performances.

The cutting precision is warranted by drums guiding wires



PNEUMATIC WIRE TENSIONING

The innovative tensioning system on the multi-wire **QTEQ-BIDESE CINQUE / 500** gives many important advantages, like an [optimal contact of the wires](#) on the stone during the cutting, prevention of the typical problems of oval effect on the wires, cutting deviation and diamond wires breakages.

Pneumatic tensioning [minimizes the service costs](#) and meets a positive impact to the environment thanks to the absence of oil.



FAST SET UP OF WIRES AND COMPLETELY SAFE

The accessibility to all areas of the multi-wire **QTEQ-BIDESE CINQUE / 500** for interchanging and set up of diamond wires is [completely safe](#), thanks to the access of stairs with [adequate protection](#), respecting the most rigid safety regulations.



VARIABLE SLABS THICKNESS SETTING

Multi-wire **QTEQ-BIDESE CINQUE / 500** is available to produce every thickness of [slabs from 2 cm to 25 cm](#).

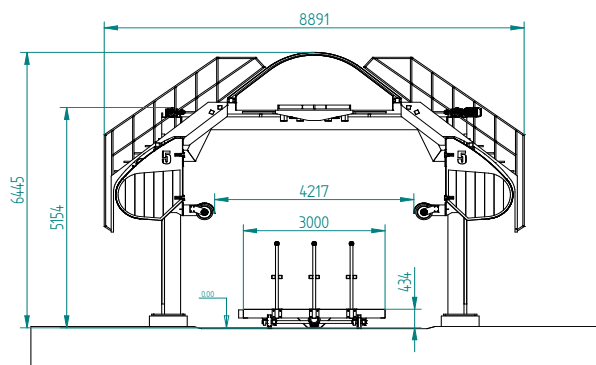
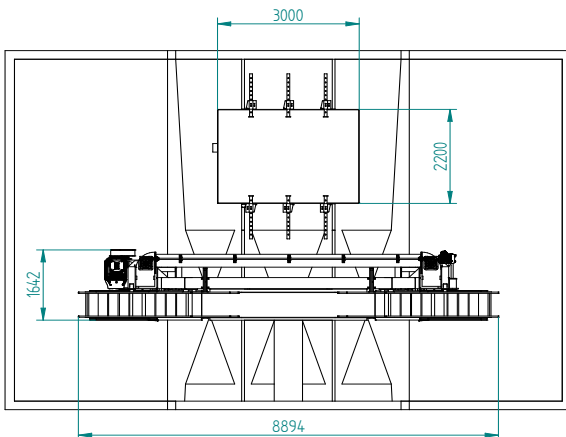
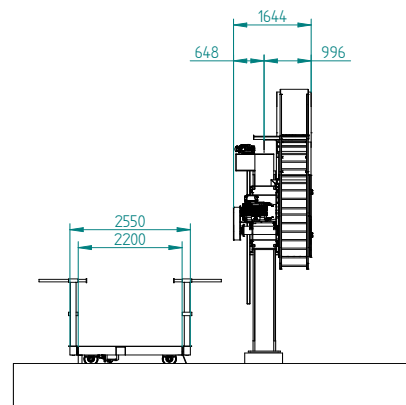
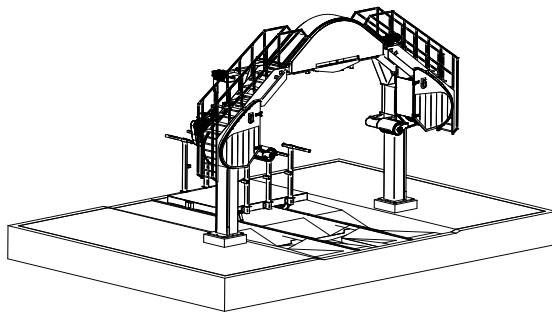
To set the thickness easy and fast, moreover the possibility to [adjust the wires distance](#), according to different diameter, getting optimal stone recovery.



TECHNICAL FEATURES

CINQUE 500/5

QTEQ-BIDESE CINQUE 500 multi-wire dimensions (LxWxH):	8.900 x 1.630 x H= 6.500 mm
Width of the diamond wires cutting area:	500 mm
Motor flywheel diameter:	∅ 1.000 mm
Guiding pulleys diameter:	∅ 1.000 mm
Tensioning pulley diameter:	∅ 700 mm
Drum guiding wire diameter:	∅ 380 mm
Diamond wires variable rotation speed:	0 - 35 m/sec.
Diamond wires cutting down feed:	0 - 300 cm/h
Diamond wires rising speed:	33 cm/min.
Available cutting area: (W x H)	3.800 mm x 2.150 mm
Diamond wires rotation motor power:	37 kW
Motor controlling slow cutting down feed and fast lifting:	5,5 KW
Diameter of the installed diamond wires:	7,3 mm
Installed diamond wires	5
Pneumatic diamond wire tension:	0 - 300 kg
Required water quantity:	100 liters/min.
Required compressed air:	50 liters/min (6 bars pressure)
Thicknesses of slabs:	20/250 mm
Electric power	400V-50Hz
Weight:	9 ton
Diamond wire loop length:	18.900 mm
Installed electrical power:	45 KW
Transport: open top 40 feet	n. 1 open top 40 feet





bidese_{QTEQ}

SOLUTIONS FOR
YOUR BUSINESS



QTEQ-Bidese Sp. z o.o.

Jasionka 954
36-002 Jasionka (Poland)
Tel. +48 17 77 962 75

mail: office@qteq.eu
VAT: PL5170365602
www.bidese.com

COPYRIGHT Q-TEQ 2022

The information contained in this catalog are not binding, Q-TEQ reserves the right to make changes without notice, nobody can raise any objections or claim.